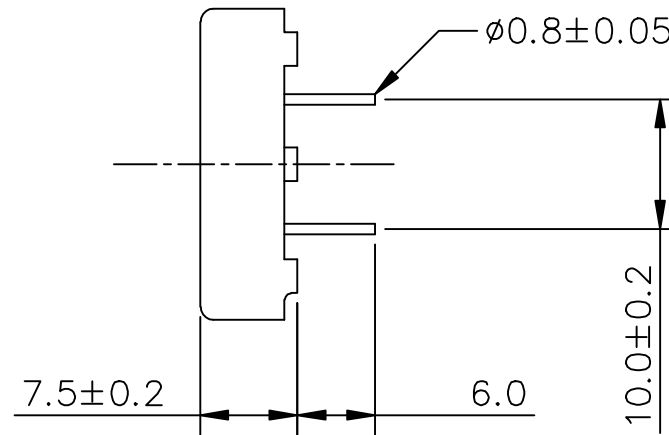
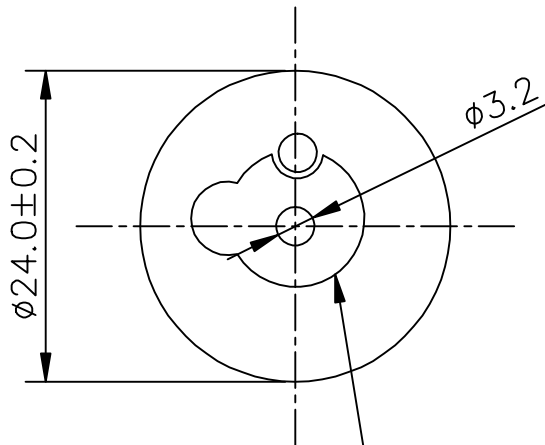


THIS DOCUMENT CONTAINS DATA PROPRIETARY TO PROJECTS UNLIMITED, INC. ANY USE OR REPRODUCTION, IN ANY FORM, WITHOUT PRIOR WRITTEN PERMISSION OF PROJECTS UNLIMITED, INC. IS PROHIBITED.
 ©2003, Projects Unlimited Inc.

SPECIFICATIONS

| PARAMETERS | VALUES | UNITS |
|-----------------------------|-------------------------|------------------|
| RATED VOLTAGE (SQUARE WAVE) | 3 | V _{p-p} |
| OPERATING VOLTAGE RANGE | 1 ~ 30 | V _{p-p} |
| RATED CURRENT (MAX) | 1 | mA |
| CAPACITANCE | 21,000±30% | pF |
| MINIMUM SPL @ 10 CM | 80 | dB |
| RESONANT FREQUENCY | 4,000±500 | Hz |
| OPERATING TEMPERATURE | -20 ~ +60 | °C |
| STORAGE TEMPERATURE | -30 ~ +70 | °C |
| HOUSING MATERIAL | NORYL | - |
| TERMINAL MATERIAL | Sn PLATED RED COPPER | - |
| WEIGHT | 3 | grams |


| REVISIONS | | | |
|-----------|-------------------------------------|----------|----------|
| LTR | DESCRIPTION | DATE | APPROVED |
| - | RELEASED FROM ENGINEERING | 8/19/04 | |
| A | REVISED DRAWING TITLE | 8/23/04 | R.W. |
| B | REMOVED LEAD FREE ADDED RoHS NOTE | 8/10/05 | |
| C | REVISED POSITIVE TERMINAL INDICATOR | 12/12/07 | R.W. |
| D | REVISED TERMINAL MATERIAL | 11/6/08 | B.R. |



REMOVABLE TAB FOR WASHING

NOTES:

1. THIS PART IS RoHS 2002/95/EC COMPLIANT.
2. ALL DIMENSIONS ARE IN MILLIMETERS.
3. SPECIFICATION SUBJECT TO CHANGE OR WITHDRAWAL WITHOUT NOTICE.

| | | | |
|---|------|---|---|
| UNLESS OTHERWISE SPECIFIED: DIMENSIONS ARE IN MILLIMETERS, TOLERANCES ARE ±0.5 AND ANGLES ARE ±3°. | |  A Division of Projects Unlimited | 6300 Sand Lake Road Dayton, Ohio 45414 |
| APPROVALS | DATE | | |
| DRAWN R.A.C. | 8/04 | TRANSDUCER (PIEZO) DRAWING NO. AT-2440-TWT-R | |
| CHECKED R.W. | 8/04 | | |
| APPROVED | | SIZE A | |
| FILE NAME AT-2440-TWT-R.DWG | | SCALE: N.T.S. | SHEET 1 OF 1 |