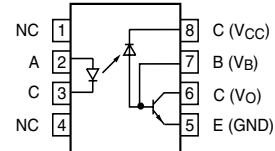
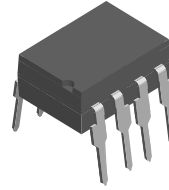


High Speed Optocoupler, 1 MBd, Transistor Output

Features

- Isolation Test Voltage: 5300 V_{RMS}
- TTL Compatible
- High Bit Rates: 1.0 Mbit/s
- High Common-mode Interference Immunity
- Bandwidth 2.0 MHz
- Open-collector Output
- External Base Wiring Possible
- Lead-free component
- Component in accordance to RoHS 2002/95/EC and WEEE 2002/96/EC



1179081



Agency Approvals

- UL1577, File No. E52744 System Code H or J, Double Protection
- CSA 93751
- DIN EN 60747-5-2 (VDE0884)
DIN EN 60747-5-5 pending
Available with Option 1

Description

The SFH6135 and SFH6136 optocouplers feature a high signal transmission rate and a high isolation resistance. They have a GaAlAs infrared emitting diode, optically coupled with an integrated photo detector which consists of a photo diode and a high-speed transistor in a DIP-8 plastic package.

Signals can be transmitted between two electrically separated circuits up to frequencies of 2.0 MHz. The potential difference between the circuits to be coupled should not exceed the maximum permissible reference voltages.

Order Information

| Part | Remarks |
|---------|--------------------|
| SFH6135 | CTR ≥ 7.0 %, DIP-8 |
| SFH6136 | CTR ≥ 19 %, DIP-8 |

For additional information on the available options refer to Option Information.

Absolute Maximum Ratings

T_{amb} = 25 °C, unless otherwise specified

Stresses in excess of the absolute Maximum Ratings can cause permanent damage to the device. Functional operation of the device is not implied at these or any other conditions in excess of those given in the operational sections of this document. Exposure to absolute Maximum Rating for extended periods of the time can adversely affect reliability.

Input

| Parameter | Test condition | Symbol | Value | Unit |
|-------------------------------|-----------------------------|-------------------|-------|------|
| Reverse voltage | | V _R | 3.0 | V |
| Forward current | | I _F | 25 | mA |
| Peak forward current | t = 1.0 ms, duty cycle 50 % | I _{FM} | 50 | mA |
| Maximum surge forward current | t ≤ 1.0 μs, 300 pulses/s | I _{FSM} | 1.0 | A |
| Thermal resistance | | R _{thja} | 700 | K/W |
| Power dissipation | | P _{diss} | 45 | mW |

Output

| Parameter | Test condition | Symbol | Value | Unit |
|------------------------|--------------------------------------|------------|-------------|------|
| Supply voltage | | V_S | - 0.5 to 30 | V |
| Output voltage | | V_O | - 0.5 to 25 | V |
| Emitter-base voltage | | V_{EBO} | 5.0 | V |
| Output current | | I_O | 8.0 | mA |
| Maximum output current | | I_O | 16 | mA |
| Base current | | I_B | 5.0 | mA |
| Thermal resistance | | R_{thja} | 300 | K/W |
| Power dissipation | $T_{amb} = 70\text{ }^\circ\text{C}$ | P_{diss} | 100 | mW |

Coupler

| Parameter | Test condition | Symbol | Value | Unit |
|--|---|-----------|----------------|------------------|
| Isolation test voltage | | V_{ISO} | 5300 | V_{RMS} |
| Pollution degree (DIN VDE 0110) | | | 2 | |
| Creepage | | | ≥ 7.0 | mm |
| Clearance | | | ≥ 7.0 | mm |
| Comparative tracking index per DIN IEC 112/VDE 0303 part 1 | | | 175 | |
| Isolation resistance | $V_{IO} = 500\text{ V}, T_{amb} = 25\text{ }^\circ\text{C}$ | R_{IO} | $\geq 10^{12}$ | Ω |
| | $V_{IO} = 500\text{ V}, T_{amb} = 100\text{ }^\circ\text{C}$ | R_{IO} | $\geq 10^{11}$ | Ω |
| Storage temperature range | | T_{stg} | - 55 to + 125 | $^\circ\text{C}$ |
| Ambient temperature range | | T_{amb} | - 55 to + 100 | $^\circ\text{C}$ |
| Soldering temperature | max. $\leq 10\text{ s}$, dip soldering $\geq 0.5\text{ mm}$ distance from case bottom | T_{sld} | 260 | $^\circ\text{C}$ |

Electrical Characteristics

$T_{amb} = 25\text{ }^\circ\text{C}$, unless otherwise specified

Minimum and maximum values are testing requirements. Typical values are characteristics of the device and are the result of engineering evaluation. Typical values are for information only and are not part of the testing requirements.

Input

| Parameter | Test condition | Symbol | Min | Typ. | Max | Unit |
|--|--|-------------------------------|-----|------|-----|----------------------|
| Forward voltage | $I_F = 16\text{ mA}$ | V_F | | 1.6 | 1.9 | V |
| Breakdown voltage | $I_R = 10\text{ }\mu\text{A}$ | V_{BR} | 3.0 | | | V |
| Reverse current | $V_R = 3.0\text{ V}$ | I_R | | 0.5 | 10 | μA |
| Capacitance | $V_R = 0\text{ V}, f = 1.0\text{ MHz}$ | C_O | | 125 | | pF |
| Temperature coefficient of forward voltage | $I_F = 16\text{ mA}$ | $\Delta V_F / \Delta T_{amb}$ | | 1.7 | | mV/ $^\circ\text{C}$ |

Output

| Parameter | Test condition | Part | Symbol | Min | Typ. | Max | Unit |
|-----------------------------|--|---------|-----------|-----|------|-----|---------------|
| Logic low supply current | $I_F = 16 \text{ mA}$, V_O open, $V_{CC} = 15 \text{ V}$ | | I_{CCL} | | 150 | | μA |
| Logic high supply current | $I_F = 0 \text{ mA}$, V_O open, $V_{CC} = 15 \text{ V}$ | | I_{CCH} | | 0.01 | 1.0 | μA |
| Output voltage, output low | $I_F = 16 \text{ mA}$, $V_{CC} = 4.5 \text{ V}$, $I_O = 1.1 \text{ mA}$ | SFH6135 | V_{OL} | | 0.1 | 0.4 | V |
| | $I_F = 16 \text{ mA}$, $V_{CC} = 4.5 \text{ V}$, $I_O = 2.4 \text{ mA}$ | SFH6136 | V_{OL} | | 0.1 | 0.4 | V |
| Output current, output high | $I_F = 0 \text{ mA}$, $V_O = V_{CC} = 5.5 \text{ V}$ | | I_{OH} | | 3.0 | 500 | nA |
| | $I_F = 0 \text{ mA}$, $V_O = V_{CC} = 15 \text{ V}$ | | I_{OH} | | 0.01 | 1.0 | μA |

Coupler

| Parameter | Test condition | Symbol | Min | Typ. | Max | Unit |
|----------------------------|-----------------------|----------|-----|------|-----|------|
| Capacitance (input-output) | $f = 1.0 \text{ MHz}$ | C_{IO} | | 0.6 | | pF |

Current Transfer Ratio

| Parameter | Test condition | Part | Symbol | Min | Typ. | Max | Unit |
|------------------------|---|---------|--------|-----|------|-----|------|
| Current Transfer Ratio | $I_F = 16 \text{ mA}$, $V_O = 0.4 \text{ V}$, $V_{CC} = 4.5 \text{ V}$ | SFH6135 | CTR | 7 | 16 | | % |
| | | SFH6136 | CTR | 19 | 35 | | % |
| | $I_F = 16 \text{ mA}$, $V_O = 0.5 \text{ V}$, $V_{CC} = 4.5 \text{ V}$ | SFH6135 | CTR | 5 | | | % |
| | | SFH6136 | CTR | 15 | | | % |

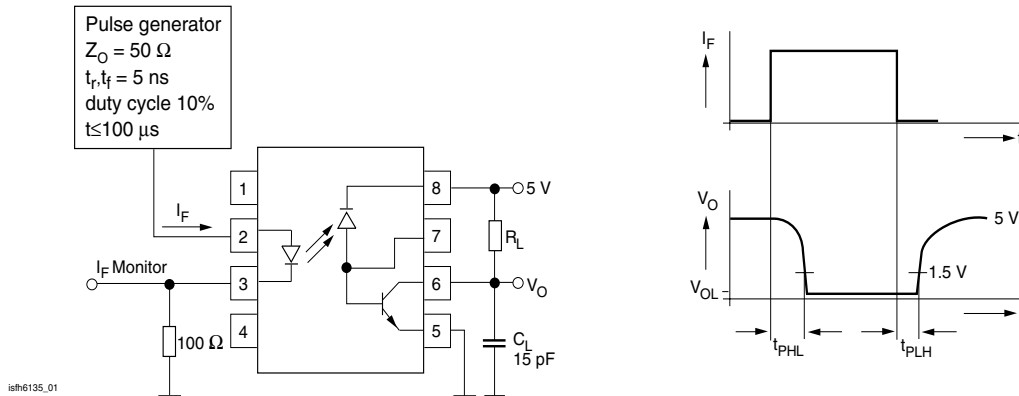
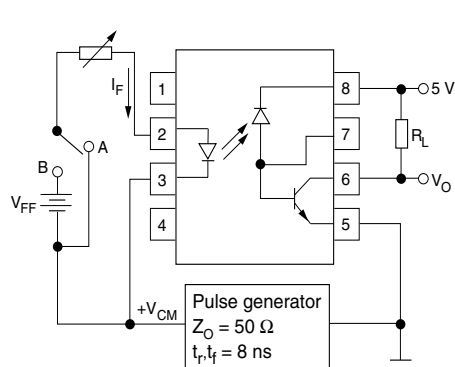


Figure 1. Schematics

Switching Characteristics

Delay Time

| Parameter | Test condition | Part | Symbol | Min | Typ. | Max | Unit |
|-----------|---|---------|-----------|-----|------|-----|---------------|
| High-low | $I_F = 16 \text{ mA}$, $V_{CC} = 5.0 \text{ V}$, $R_L = 4.1 \text{ k}\Omega$ | SFH6135 | t_{PHL} | | 0.3 | 1.5 | μs |
| | $I_F = 16 \text{ mA}$, $V_{CC} = 5.0 \text{ V}$, $R_L = 1.9 \text{ k}\Omega$ | SFH6136 | t_{PHL} | | 0.2 | 0.8 | μs |
| Low-high | $I_F = 16 \text{ mA}$, $V_{CC} = 5.0 \text{ V}$, $R_L = 4.1 \text{ k}\Omega$ | SFH6135 | t_{PLH} | | 0.3 | 1.5 | μs |
| | $I_F = 16 \text{ mA}$, $V_{CC} = 5.0 \text{ V}$, $R_L = 1.9 \text{ k}\Omega$ | SFH6136 | t_{PLH} | | 0.2 | 0.8 | μs |



isfh6135_02

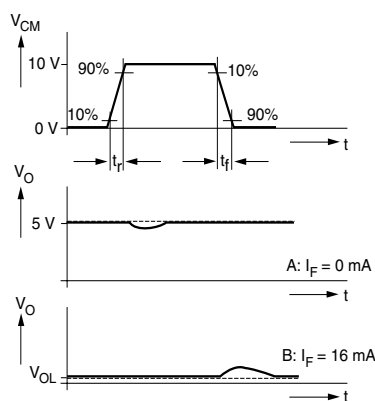
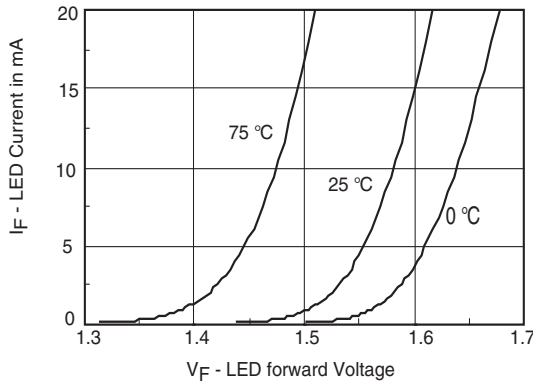


Figure 2. Common-Mode Interference Immunity

Common Mode Transient Immunity

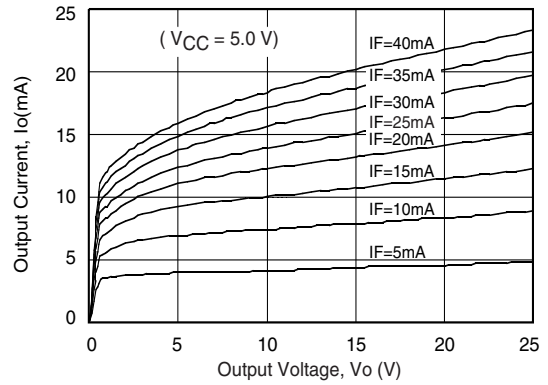
| Parameter | Test condition | Part | Symbol | Min | Typ. | Max | Unit |
|-----------|--|---------|--------|-----|------|-----|------------------------|
| High | $V_{CM} = 10 \text{ V}_{P-P}$, $V_{CC} = 5.0 \text{ V}$, $I_F = 0 \text{ mA}$, $R_L = 4.1 \text{ k}\Omega$ | SFH6135 | CM_H | | 1000 | | $\text{V}/\mu\text{s}$ |
| | $V_{CM} = 10 \text{ V}_{P-P}$, $V_{CC} = 5.0 \text{ V}$, $I_F = 0 \text{ mA}$, $R_L = 1.9 \text{ k}\Omega$ | SFH6136 | CM_H | | 1000 | | $\text{V}/\mu\text{s}$ |
| Low | $V_{CM} = 10 \text{ V}_{P-P}$, $V_{CC} = 5.0 \text{ V}$, $I_F = 0 \text{ mA}$, $R_L = 4.1 \text{ k}\Omega$ | SFH6135 | CM_L | | 1000 | | $\text{V}/\mu\text{s}$ |
| | $V_{CM} = 10 \text{ V}_{P-P}$, $V_{CC} = 5.0 \text{ V}$, $I_F = 0 \text{ mA}$, $R_L = 1.9 \text{ k}\Omega$ | SFH6136 | CM_L | | 1000 | | $\text{V}/\mu\text{s}$ |

Typical Characteristics (Tamb = 25 °C unless otherwise specified)



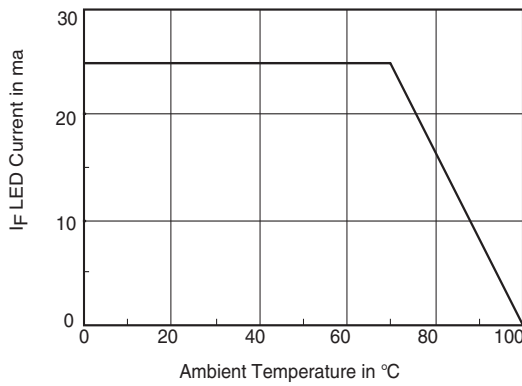
isth6135_03

Figure 3. LED Forward Current vs. Forward Voltage



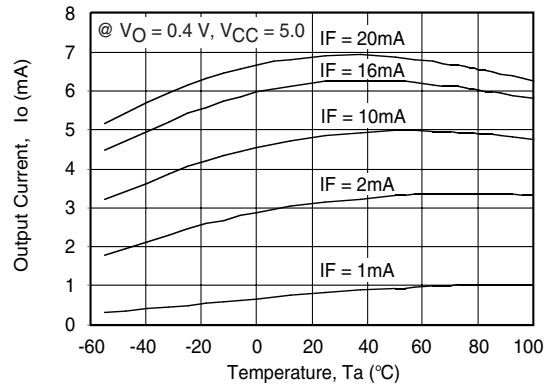
isth6135_06

Figure 6. Output Current vs. Output Voltage



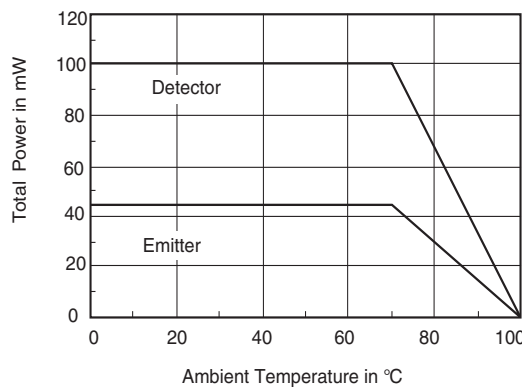
isth6135_04

Figure 4. Permissible Forward LED Current vs. Temperature



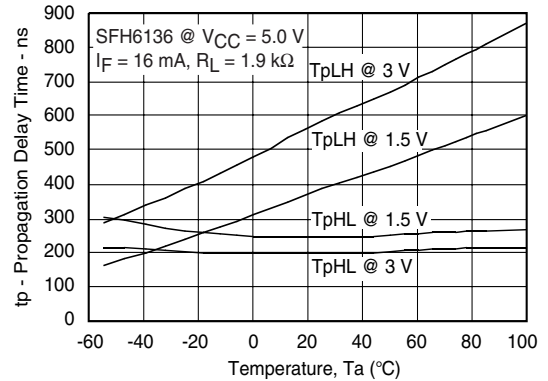
isth6135_07

Figure 7. Output Current vs. Temperature



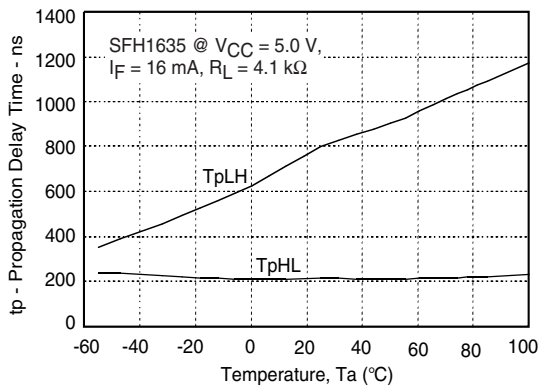
isth6135_05

Figure 5. Permissible Power Dissipation vs. Temperature



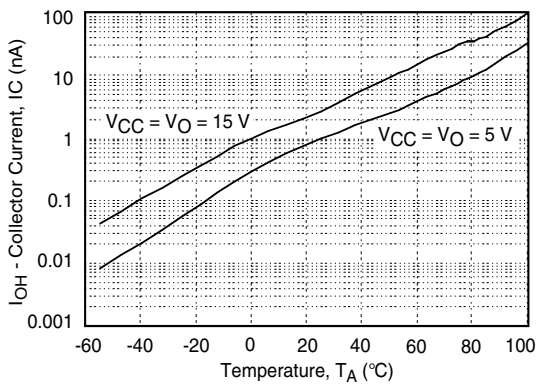
isth6135_08

Figure 8. Propagation Delay vs. Temperature-SFH6136



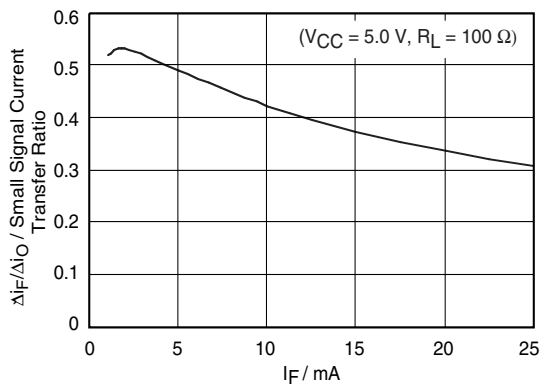
isfh6135_09

Figure 9. Propagation Delay vs. Temperature-SFH6135



isfh6135_10

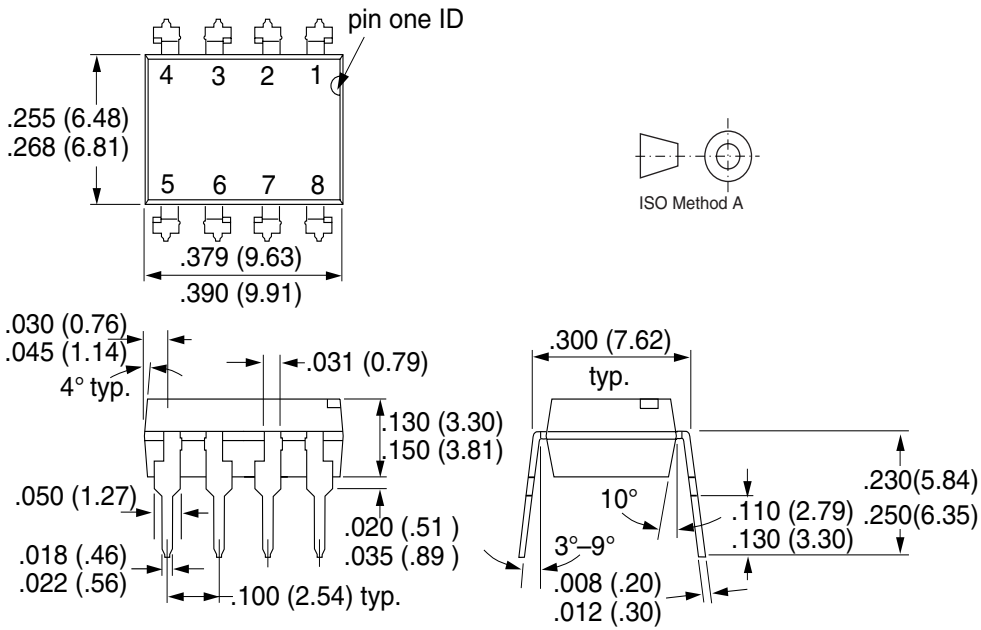
Figure 10. Logic High Output Current vs. Temperature



isfh6135_11

Figure 11. Small Signal Current Transfer Ratio vs. Quiescent Input Current

Package Dimensions in Inches (mm)



i178006

Ozone Depleting Substances Policy Statement

It is the policy of Vishay Semiconductor GmbH to

1. Meet all present and future national and international statutory requirements.
2. Regularly and continuously improve the performance of our products, processes, distribution and operating systems with respect to their impact on the health and safety of our employees and the public, as well as their impact on the environment.

It is particular concern to control or eliminate releases of those substances into the atmosphere which are known as ozone depleting substances (ODSs).

The Montreal Protocol (1987) and its London Amendments (1990) intend to severely restrict the use of ODSs and forbid their use within the next ten years. Various national and international initiatives are pressing for an earlier ban on these substances.

Vishay Semiconductor GmbH has been able to use its policy of continuous improvements to eliminate the use of ODSs listed in the following documents.

1. Annex A, B and list of transitional substances of the Montreal Protocol and the London Amendments respectively
2. Class I and II ozone depleting substances in the Clean Air Act Amendments of 1990 by the Environmental Protection Agency (EPA) in the USA
3. Council Decision 88/540/EEC and 91/690/EEC Annex A, B and C (transitional substances) respectively.

Vishay Semiconductor GmbH can certify that our semiconductors are not manufactured with ozone depleting substances and do not contain such substances.

We reserve the right to make changes to improve technical design
and may do so without further notice.

Parameters can vary in different applications. All operating parameters must be validated for each customer application by the customer. Should the buyer use Vishay Semiconductors products for any unintended or unauthorized application, the buyer shall indemnify Vishay Semiconductors against all claims, costs, damages, and expenses, arising out of, directly or indirectly, any claim of personal damage, injury or death associated with such unintended or unauthorized use.

Vishay Semiconductor GmbH, P.O.B. 3535, D-74025 Heilbronn, Germany
Telephone: 49 (0)7131 67 2831, Fax number: 49 (0)7131 67 2423



Disclaimer

All product specifications and data are subject to change without notice.

Vishay Intertechnology, Inc., its affiliates, agents, and employees, and all persons acting on its or their behalf (collectively, "Vishay"), disclaim any and all liability for any errors, inaccuracies or incompleteness contained herein or in any other disclosure relating to any product.

Vishay disclaims any and all liability arising out of the use or application of any product described herein or of any information provided herein to the maximum extent permitted by law. The product specifications do not expand or otherwise modify Vishay's terms and conditions of purchase, including but not limited to the warranty expressed therein, which apply to these products.

No license, express or implied, by estoppel or otherwise, to any intellectual property rights is granted by this document or by any conduct of Vishay.

The products shown herein are not designed for use in medical, life-saving, or life-sustaining applications unless otherwise expressly indicated. Customers using or selling Vishay products not expressly indicated for use in such applications do so entirely at their own risk and agree to fully indemnify Vishay for any damages arising or resulting from such use or sale. Please contact authorized Vishay personnel to obtain written terms and conditions regarding products designed for such applications.

Product names and markings noted herein may be trademarks of their respective owners.