

RKT-C3305 TRIMMER POTENTIOMETER-3mm SMD



- Single-Turn/ Cermet/ Open Frame
- Recommended for reflow processing
- Rotor design compatible with automatic adjustment equipment
- Supplied in 8mm embossed tape, compatible with automatic assembly equipment
- 3mm size meets EIA/EIAJ standard trimmer footprint

Electrical Characteristics	
Standard Resistance Range	10Ω to 1MΩ (see standard resistance table)
Resistance Tolerance	±25%
Adjustment Angle	220°C ± 20°C
Residual Resistance	=<1K, 20Ω>1K, 2%)

Environmental Characteristics	
Power Rating (Max Working Voltage)	50V
70°C	0.1Watt
Temperature Range	-55°C to +125°C
Temperature Coefficient	±250ppm/°C
Rotational Life	±10%
Load Life	1000 hours 0.1Watt 70°C +5%
Contact Resistance Variation	5% max

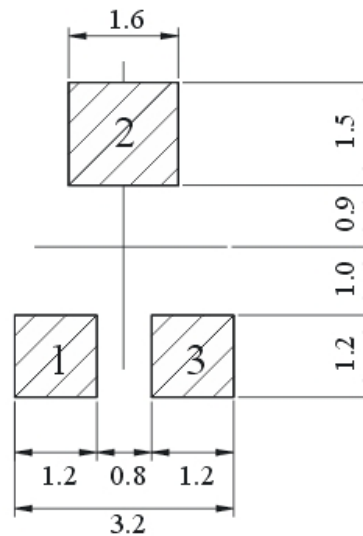
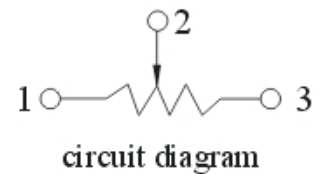
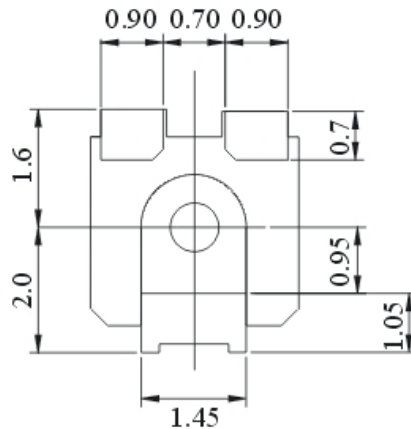
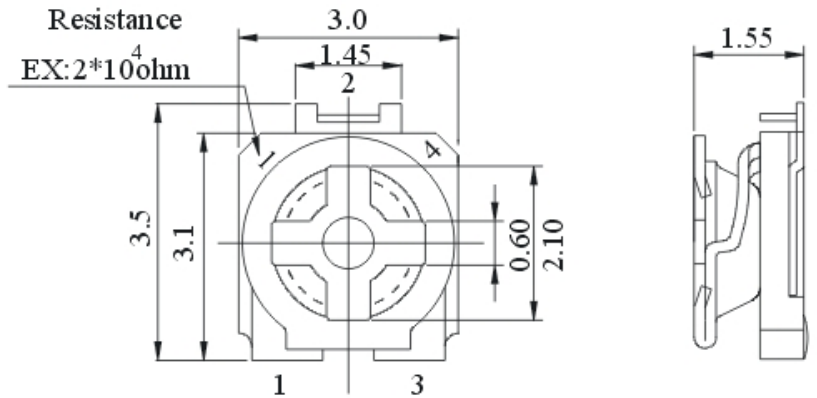
Physical Characteristics	
Torque (Operating)	20~200gf. Cm
Soldering Conditions	220°C to 240°C And within 5 seconds
Marking	Resistance Code
Standard Packing	2000 PCS / 7" REEL
Aqueous cleaning not recommended	

How to Order	
Series	RKT - C
Chip	3
External Dimensions	3
3 solder	05
Model	101
Resistance Code	R
RoHS	

Resistance Table	
Resistance(Ohms)	Resistance Code
100	101
220	221
330	331
470	471
500	501
1,000	102
2,200	222
3,300	332
4,700	472
1,000,000	105

Common Dimensions

RKT-C3305



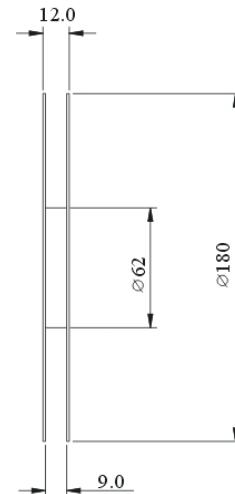
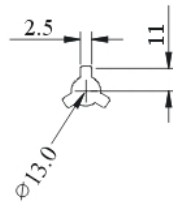
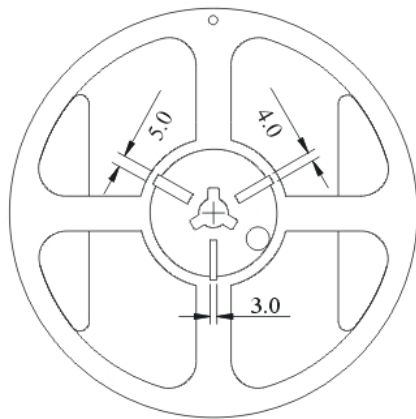
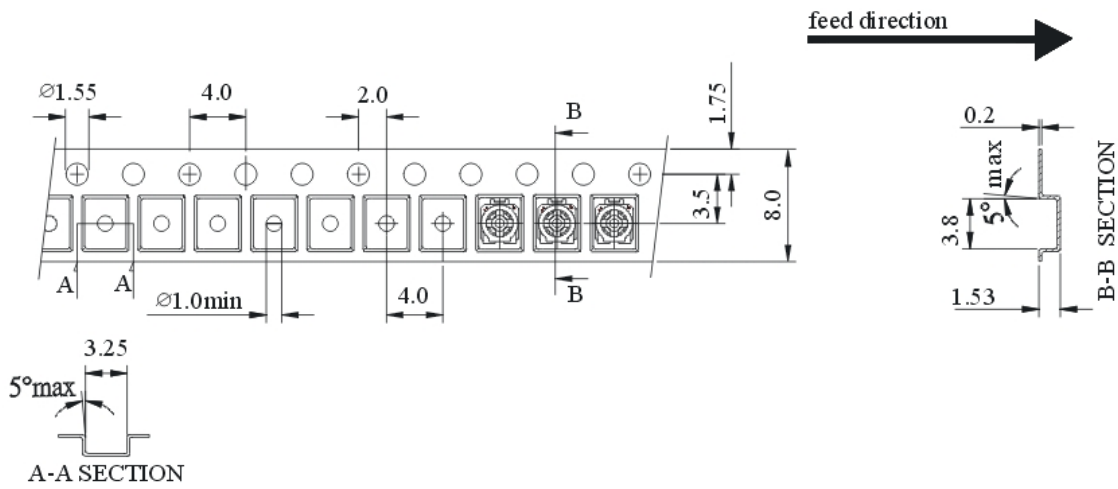
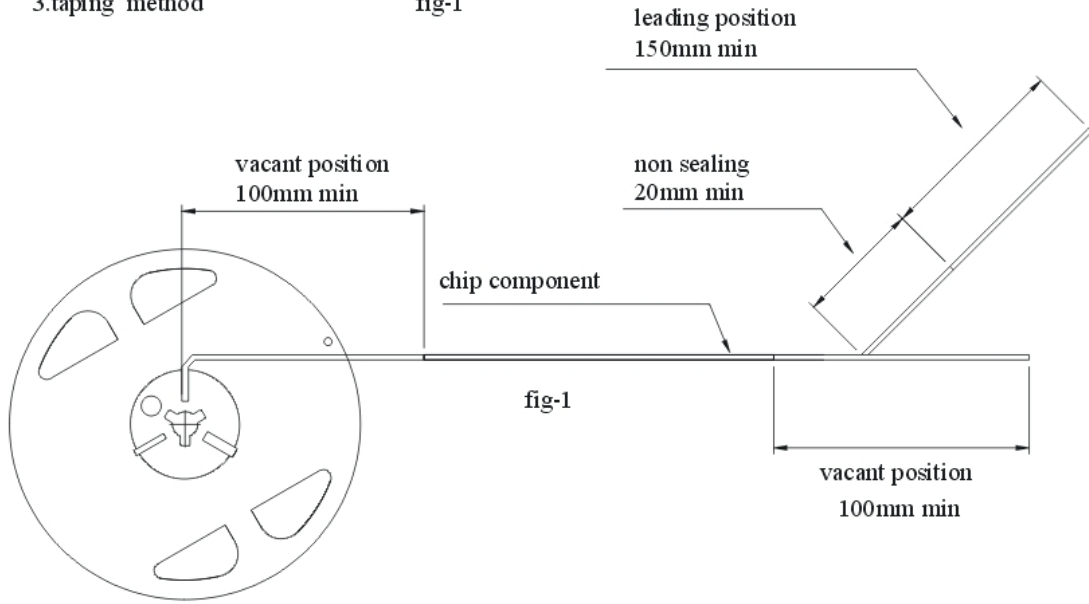
Recommended land pattern

RKT-C3305 TRIMMER POTENTIOMETER-3mm SMD

Common Dimensions

TAPING SPECIFICATION

- | | |
|----------------------------------|-------------------|
| 1.taping quantity | 2000pcs. / 7"reel |
| 2.peeling strength of cover tape | 10-100gf |
| 3.taping method | fig-1 |



Note: Specification are subject to change without notice.

Kingtronics® International Company

Tel: (852) 8106 7033 Fax: (852) 8106 7099

Website: www.kingtronics.com Email: info@kingtronics.com