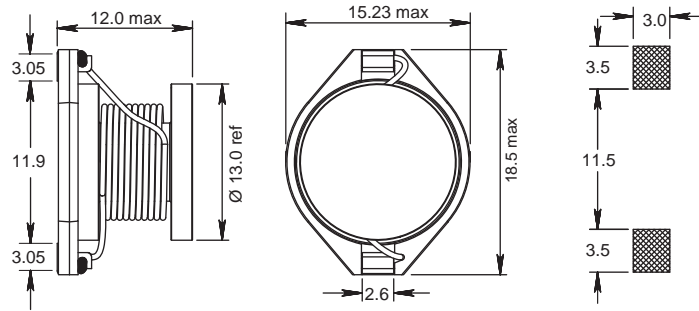
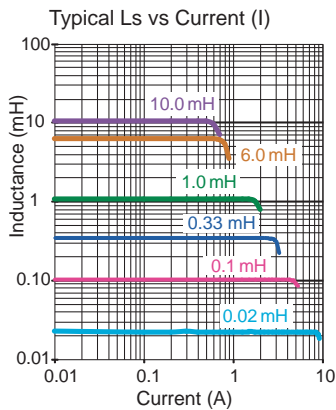
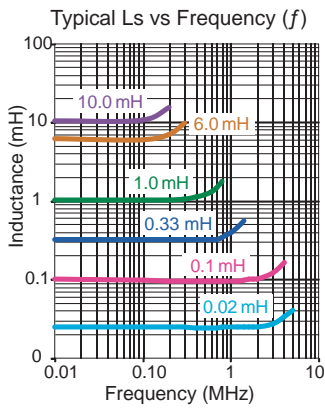


# PIST



Recommended Layout for solder pads



| Part No      | Inductance |               | f <sub>L</sub><br>(MHz) | Tol<br>± (%) | SRF<br>min<br>(kHz) | DCR<br>max<br>(Ω) | Rated DC Current (A) |                        |
|--------------|------------|---------------|-------------------------|--------------|---------------------|-------------------|----------------------|------------------------|
|              | L (μH)     |               |                         |              |                     |                   | I <sub>sat typ</sub> | I <sub>ΔT = 40°C</sub> |
| PIST-100X-04 | 10         | 0.1MHz, 0.1 V | <b>10,20</b>            | 17000        | 0.06                | 11.0              | 4.50                 |                        |
| PIST-150X-04 | 15         | 0.1MHz, 0.1 V | <b>10,20</b>            | 12000        | 0.10                | 9.00              | 3.60                 |                        |
| PIST-220X-04 | 22         | 0.1MHz, 0.1 V | <b>10,20</b>            | 9000         | 0.10                | 7.00              | 2.80                 |                        |
| PIST-330X-04 | 33         | 0.1MHz, 0.1 V | <b>10,20</b>            | 9000         | 0.12                | 6.70              | 2.50                 |                        |
| PIST-470X-04 | 47         | 0.1MHz, 0.1 V | <b>10,20</b>            | 5700         | 0.13                | 6.00              | 2.20                 |                        |
| PIST-680X-04 | 68         | 0.1MHz, 0.1 V | <b>10,20</b>            | 5000         | 0.15                | 5.00              | 2.00                 |                        |
| PIST-820X-04 | 82         | 0.1MHz, 0.1 V | <b>10,20</b>            | 4200         | 0.15                | 4.80              | 1.90                 |                        |
| PIST-101X-04 | 100        | 0.1MHz, 0.1 V | <b>10,20</b>            | 3900         | 0.20                | 4.10              | 1.60                 |                        |
| PIST-151X-04 | 150        | 0.1MHz, 0.1 V | <b>10,20</b>            | 3500         | 0.22                | 3.60              | 1.60                 |                        |
| PIST-221X-04 | 220        | 0.1MHz, 0.1 V | <b>10,20</b>            | 2600         | 0.34                | 3.00              | 1.20                 |                        |
| PIST-271X-04 | 270        | 0.1MHz, 0.1 V | <b>10,20</b>            | 2500         | 0.40                | 2.60              | 1.10                 |                        |
| PIST-301X-04 | 300        | 0.1MHz, 0.1 V | <b>10,20</b>            | 2000         | 0.39                | 2.10              | 1.20                 |                        |
| PIST-331X-04 | 330        | 0.1MHz, 0.1 V | <b>10,20</b>            | 2000         | 0.70                | 2.00              | 0.92                 |                        |
| PIST-471X-04 | 470        | 0.1MHz, 0.1 V | <b>10,20</b>            | 2000         | 0.95                | 1.64              | 0.87                 |                        |
| PIST-681X-04 | 680        | 0.1MHz, 0.1 V | <b>10,20</b>            | 1650         | 1.15                | 1.40              | 0.70                 |                        |
| PIST-102X-04 | 1000       | 0.1MHz, 0.1 V | <b>10,20</b>            | 1100         | 1.50                | 1.15              | 0.65                 |                        |
| PIST-152X-04 | 1500       | 0.1MHz, 0.1 V | <b>10,20</b>            | 700          | 2.00                | 1.00              | 0.50                 |                        |
| PIST-302X-04 | 3000       | 0.1MHz, 0.1 V | <b>10,20</b>            | 630          | 3.50                | 0.90              | 0.50                 |                        |
| PIST-472X-04 | 4700       | 0.1MHz, 0.1 V | <b>10,20</b>            | 500          | 4.80                | 0.78              | 0.40                 |                        |
| PIST-602X-04 | 6000       | 0.1MHz, 0.1 V | <b>10,20</b>            | 470          | 6.00                | 0.70              | 0.30                 |                        |
| PIST-802X-04 | 8000       | 0.1MHz, 0.1 V | <b>10,20</b>            | 410          | 8.00                | 0.60              | 0.26                 |                        |
| PIST-103X-04 | 10000      | 0.1MHz, 0.1 V | <b>10,20</b>            | 300          | 10.5                | 0.39              | 0.24                 |                        |

Core Material: Ferrite

Base Material: Plastic

SPQ: Taped / Reel 200 [-04]

Remarks: I<sub>sat</sub> & I<sub>ΔT</sub> - see description in Inductors Technical Data.

Terminal clip with lead-free tinned surface for SMT-Reflow soldering.

Revision date: 04 Mar 2022