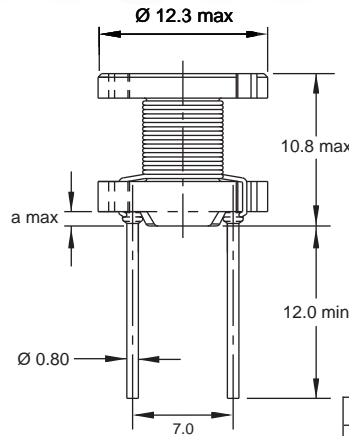


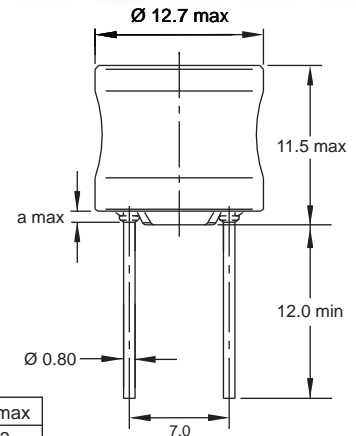
09 HVP, 09 HVP/T

For High Voltages up to 400V DC



09 HVP

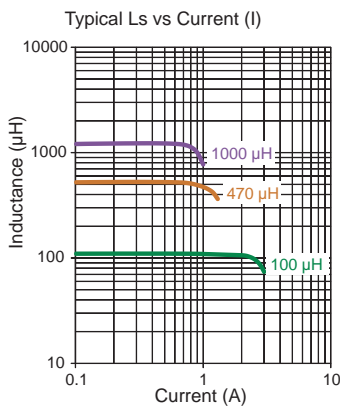
L (µH)	a max
82 - 120	3
150 - 1500	2



09 HVP/T
(With Tube)

(Pin Type Coils)

Pluggable Inductors



Part No	Inductance	f _L	Tol	DCR	Rated DC Current (A)	
	L (µH)	(kHz)	± (%)	max (Ω)	I _N max	I _{sat} typ
09HVP-820X-50	82	100kHz, 1V	10,20	0.086	2.32	2.20
09HVP-101X-50	100	100kHz, 1V	10,20	0.100	2.40	2.03
09HVP-121X-50	120	100kHz, 1V	10,20	0.135	1.92	1.82
09HVP-151X-50	150	100kHz, 1V	10,20	0.175	1.76	1.66
09HVP-181X-50	180	100kHz, 1V	10,20	0.200	1.68	1.50
09HVP-221X-50	220	100kHz, 1V	10,20	0.225	1.52	1.44
09HVP-271X-50	270	100kHz, 1V	10,20	0.300	1.36	1.27
09HVP-331X-50	330	100kHz, 1V	10,20	0.350	1.28	1.16
09HVP-391X-50	390	100kHz, 1V	10,20	0.450	1.12	1.05
09HVP-471X-50	470	100kHz, 1V	10,20	0.515	1.04	0.98
09HVP-561X-50	560	100kHz, 1V	10,20	0.585	1.00	0.88
09HVP-681X-50	680	100kHz, 1V	10,20	0.680	0.96	0.85
09HVP-821X-50	820	100kHz, 1V	10,20	0.910	0.80	0.76
09HVP-102X-50	1000	100kHz, 1V	10,20	1.060	0.72	0.73
09HVP-152X-50	1500	100kHz, 1V	10,20	1.900	0.50	0.50

Core Material : Ferrite

Revision date : 14 Sep 2020

SPQ :

Packing Form	5 Trays / Box
Radial	500 [-50]