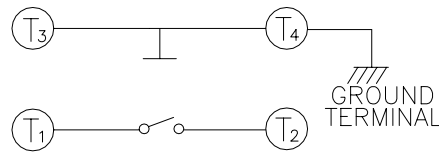
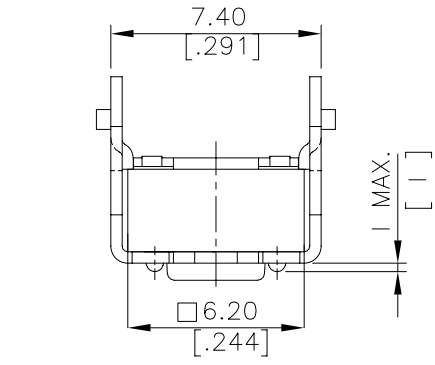


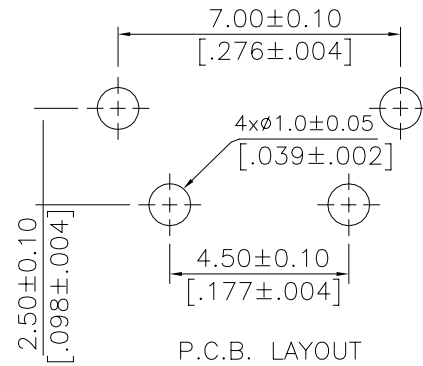
DTSA-6,DTSG-6(2) SERIES

**DIMENSIONS**

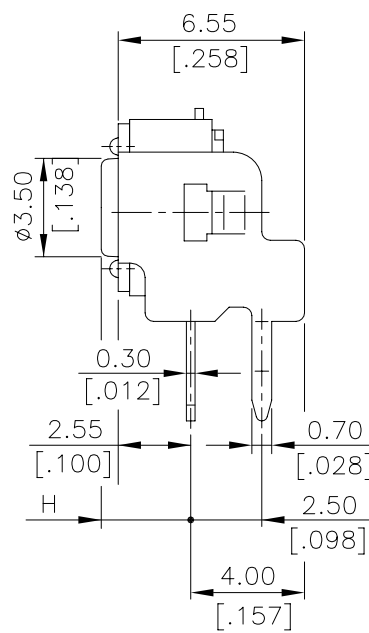
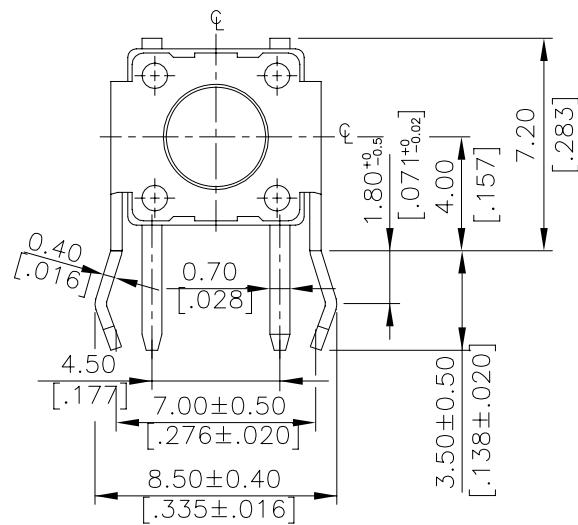
**DTSA-6**



CIRCUIT DIAGRAM



P.C.B. LAYOUT

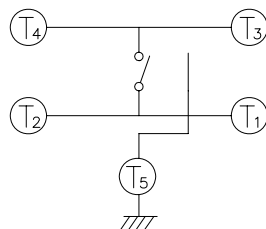
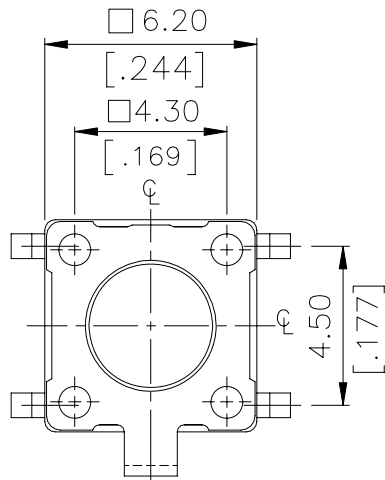


DTSA-62~66 □ -V	0.4 MAX	.016 MAX
DTSA-61 □ -V	0.3 MAX	.012 MAX
PROD. NO.	I	INCHES.

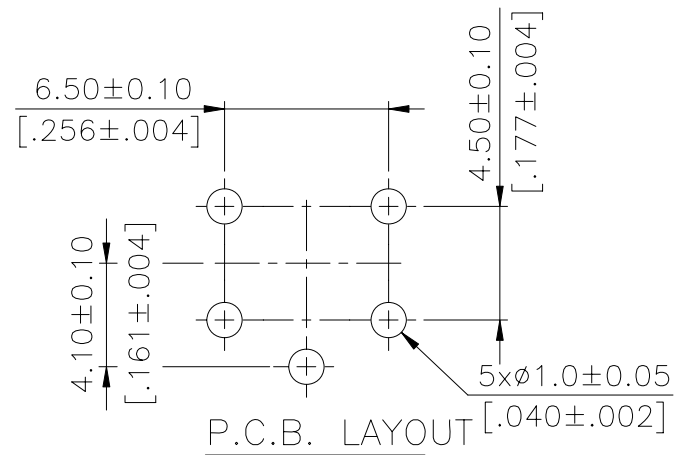
DTSA-66 □ -V	11.85 [.467]
DTSA-65 □ -V	8.35 [.329]
DTSA-63 □ -V	5.85 [.230]
DTSA-62 □ -V	3.85 [.152]
DTSA-61 □ -V	3.15 [.124]
PROD. NO.	H

General Tolerance : ±0.2mm

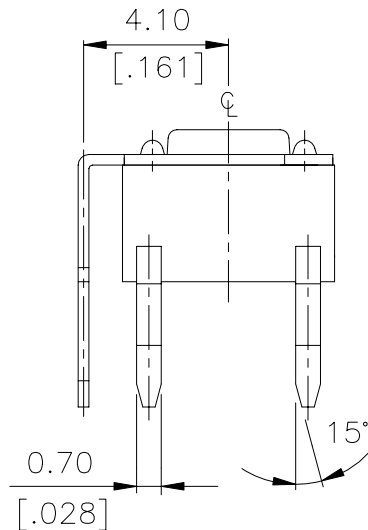
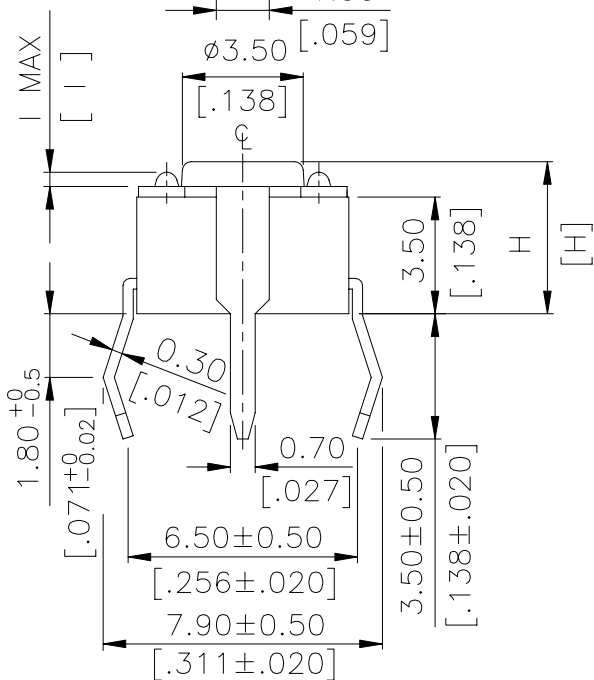
**DTSG-6**



CIRCUIT DIAGRAM



P.C.B. LAYOUT

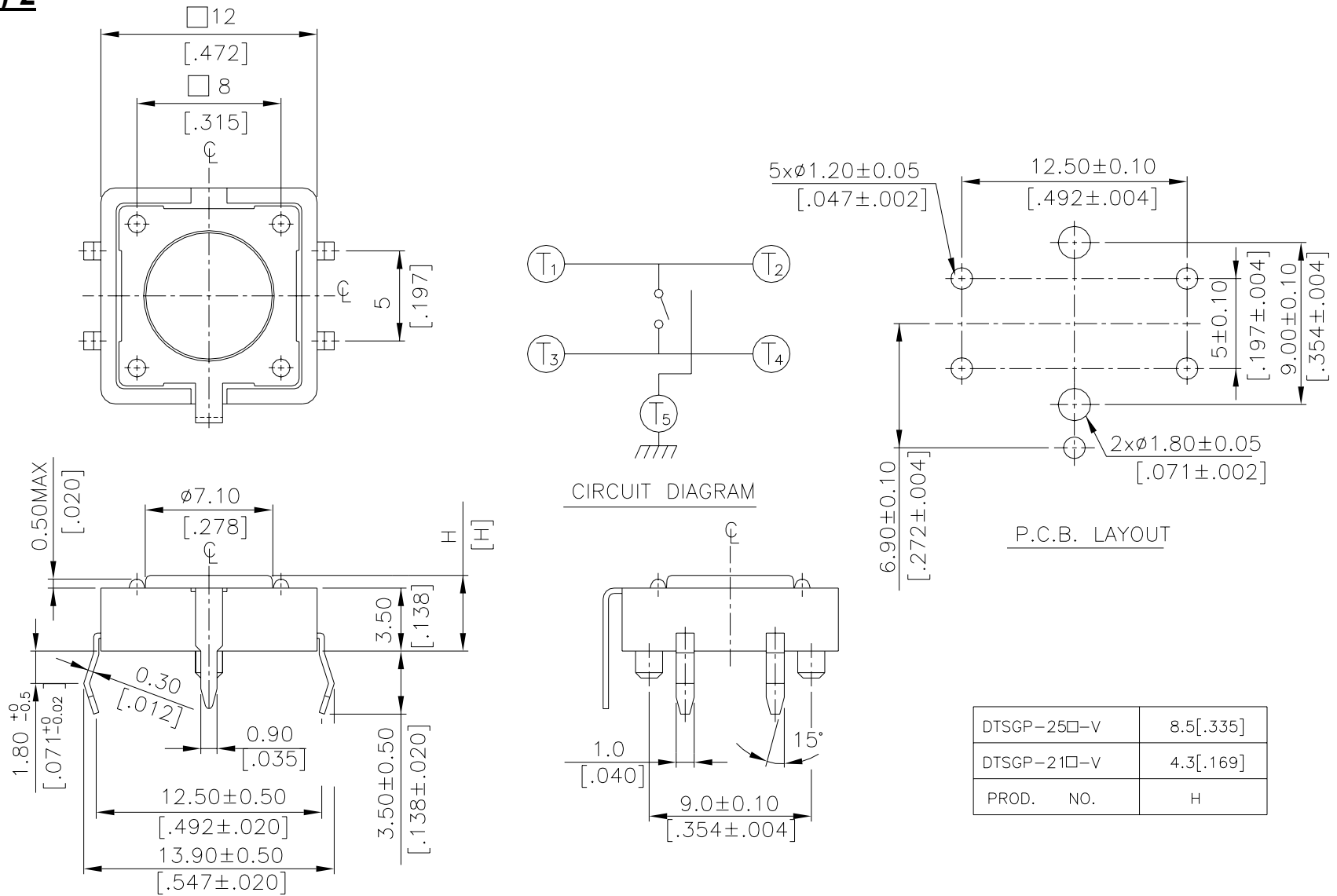


DTSG-62~66 □ -V	0.5 MAX	.0196 MAX
DTSG-61 □ -V	0.4 MAX	.016 MAX
PROD. NO.	I	INCHES.

DTSG-66 □ -V	13.0 [.512]
DTSG-65 □ -V	9.5 [.374]
DTSG-63 □ -V	7.0 [.275]
DTSG-62 □ -V	5.0 [.197]
DTSG-61 □ -V	4.3 [.169]
PROD. NO.	H

General Tolerance : ±0.2mm

# DTSG(P)-2



General Tolerance : ±0.2mm

## HOW TO ORDER

DTS □ □ - □ □ □ - □ □ □

### Soldering

V=Lead Free Solderable

□=Dome Phosphor bronze

(\*S = Dome Stainless steel

(\*12x12 K、S、Y Unavailable)

Cover of Stem For Operatin Force:

▲K = Black, 100gf

N = Brown, 160gf

R = Red, 260gf

S = Salmon, 320gf

▲Y = Yellow, 520gf

<▲12x12, K,Y Unavailable>

Dimension H:

Code

DTSA-6

DTSG-6

DTSG(P)-2

1 = 3.15mm

4.3mm

1= 4.3mm

2 = 3.85mm

5.0mm

4= 7.3mm (SQ.)X3.8mm

3 = 5.85mm

7.0mm

5= 8.5mm

▲(SQ.)x2.4mm 44 = 6.15mm 7.3mm

(SQ.)X2.8mm48 = 6.15mm 7.3mm

5 = 8.35mm

9.5mm

6 = 11.85mm

13.0mm

Prod. Size:

6 = 6 x 6 mm

2 = 12 x 12 mm (12x12 only for DTSG)

□ = None Post

P = With Post ( For 12x12mm only)

DTSA = Right Angle Type Tactile Switch

DTSG = With Ground Terminal Type Tactile Switch

## **SPECIFICATION**

### **△MECHANICAL**

520 ± 130gf Yellow (Y)  
320 ± 80gf Salmon (S)  
Operation Force: 260 ± 50gf Red (R)  
160 ± 50gf Brown (N)  
100 ± 50gf Black (K)  
Stop Strength: Max. 3kgf vertical static load continuously for 15 seconds.  
Stroke: (6x6) 0.25 + 0.2 mm / - 0.1mm  
(12x12) 0.35 ± 0.10 mm  
Operation Temperature: -25°C to +70°C  
Storage Temperature: -30°C to +80°C

### **△ELECTRICAL**

Electrical Life: (6X6)  
300,000 cycles for 320gf, 520gf  
500,000 cycles for 260gf  
1,000,000 cycles for 100gf, 160gf  
Electrical Life: (12X12) Dome Phosphor bronze  
100,000 cycles for 320gf  
100,000 cycles for 260gf  
200,000 cycles for 160gf  
Rating: 50mA , 12VDC  
Contact Resistance: 100mΩ max.  
Insulation Resistance: 100MΩ min. at 500VDC  
Dielectric Strength: 250VAC/ minute  
Contact Arrangement: SPST

## **MATERIAL**

△COVER: Steel, Tin plated  
△BASE: UL94V-0, Nylon Thermoplastic  
Color: Black  
△STEM: UL94V-0 Nylon Thermoplastic  
Color: Black (100gf), Brown (160gf)  
Red (260gf), Salmon (320gf)  
Yellow (520gf)  
△CONTACT DISC : Phosphor bronze with silver cladding  
(Standard)  
Stainless Steel(V-Option)  
△TERMINAL: Brass with silver plated

(12x12) Dome Stainless Steel  
Electrical Life: 500,000 cycles for 260gf  
1,000,000 cycles for 160gf

## **SOLDERING PROCESS**

△WAVE SOLDERING : Recommended solder temperature at 500°F ( 260°C ) max. 5 seconds subject to PCB 1.6mm thickness ( For through hole type )  
△HAND SOLDERING : Use a soldering iron of 30 watts, controlled at 350°C approximately 5 seconds while applying solder.

## **PACKING**

Part Number	Number Per Bag	
DTSA-6	500	
DTSG-6	1000	
DTSG-2	500	