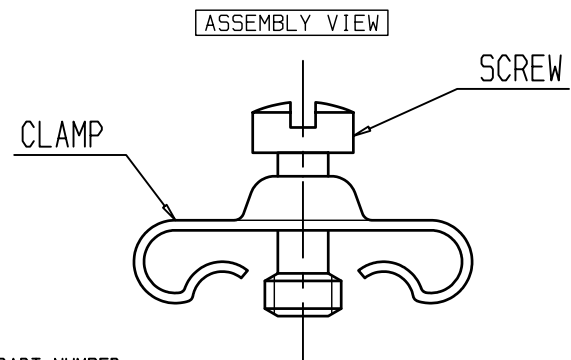
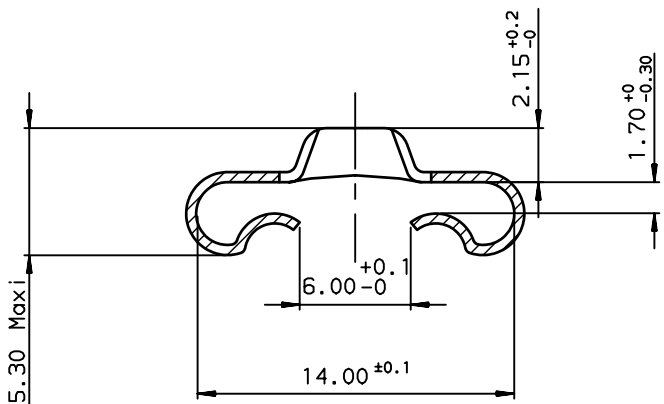


NOTES

Pieces assembly
 Packaging : per 100 piece
 Material : steel



LEAD-FREE PART-NUMBER

Part number **863004ATLF**

NOTE : RoHS INFORMATIONS

- The "LF" product meets European union Directives and other country regulations as described in 6S-22-008.
- The product is not intended to be exposed to a manufacturing solder process.
- Plating: Sn pure bright over Copper.
- Packaging spec: see 6S-14-920.

www.fciconnect.com		surface ISO 1302 ✓	tolerance std ISO 406 ISO 1101	projection mm
TOLERANCES UNLESS OTHERWISE SPECIFIED				
Dr	GOISNARD	2005/12/28	ANGULAR	0.X ±0.1
Eng	PESSON	2005/12/28	LINEAR	0.XX ±0.1
Chr	LEGARE	2005/12/28	0.XX' ±2'	0.XXX ±0.1
Appr	LEGARE	2005/12/28	Product family	D-SUB
			size	A3
			Scale	5
			ECN	LS09-0006
			Spec ref	-
		MALE SCREW LOCKS D SUB ACCESSORIES		dwg no C01-8655-1634
catalog no		-		Rev. C
			CUSTOMER	sheet 1 of 1

rev	ecn no	dr	date
A	LS05-0123	LGO	2005/12/28
B	LS06-0097	LGO	2006/07/28
C	LS09-0006	PCR	2009/01/08
-	-	-	-
-	-	-	-
-	-	-	-